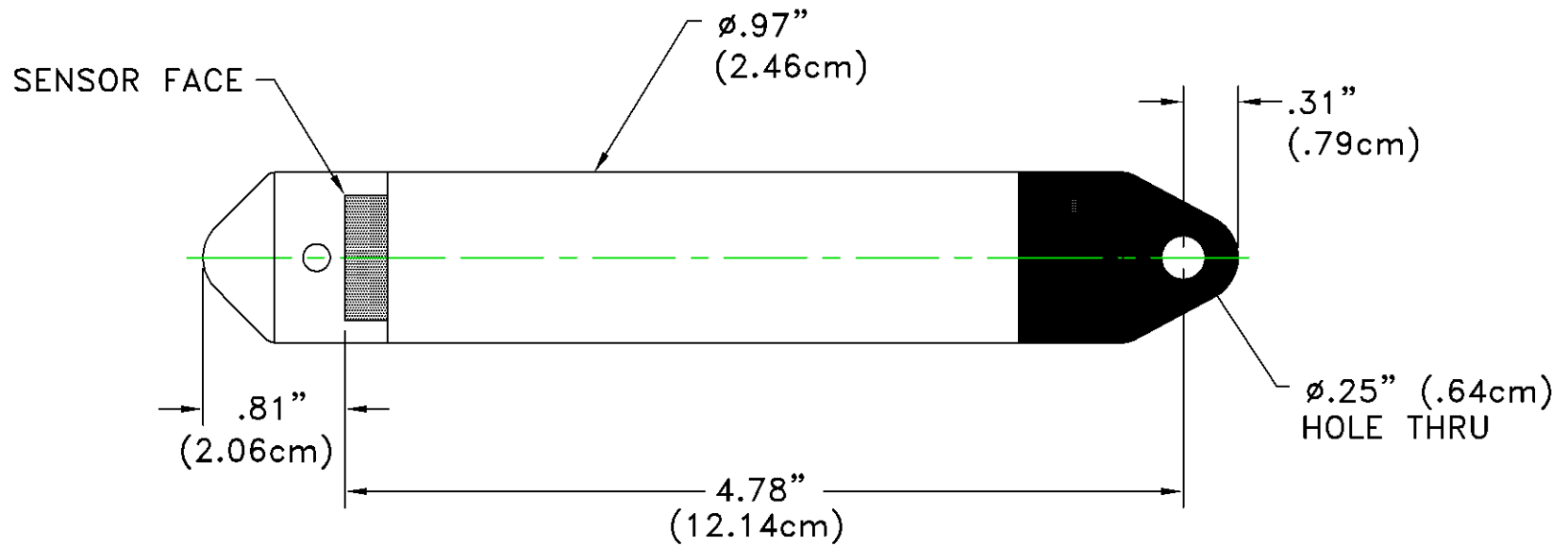




REVISIONS			
REV	DESCRIPTION	DATE	BY
A	RELEASED	6/01/06	DMP



 Computer Corporation 470 MacArthur Blvd. P.O. Box 3450 Bourne, MA 02532 (508) 759-9500 Fax(508) 759-9100	MATERIAL	~	TOLERANCES DECIMALS .XX +/- .01 .XXX +/- .005 ANGLES FRACTIONS +/- 1/4° +/- 1/32	 DESCRIPTION U20 WATERLEVEL LOGGER SENSOR LOCATION
	FINISH	~		
<small>THIS DOCUMENT CONTAINS INFORMATION PROPRIETARY TO ONSET COMPUTER CORPORATION DISCLOSURE OR USE IS EXPRESSLY PROHIBITED EXCEPT AS OTHERWISE AGREED IN WRITING.</small>	ASSEMBLES WITH		PART # D-10908	REV A
	DO NOT SCALE DRAWING		SCALE NTS DIMENSIONS	SHEET 1 of 1