

## Features

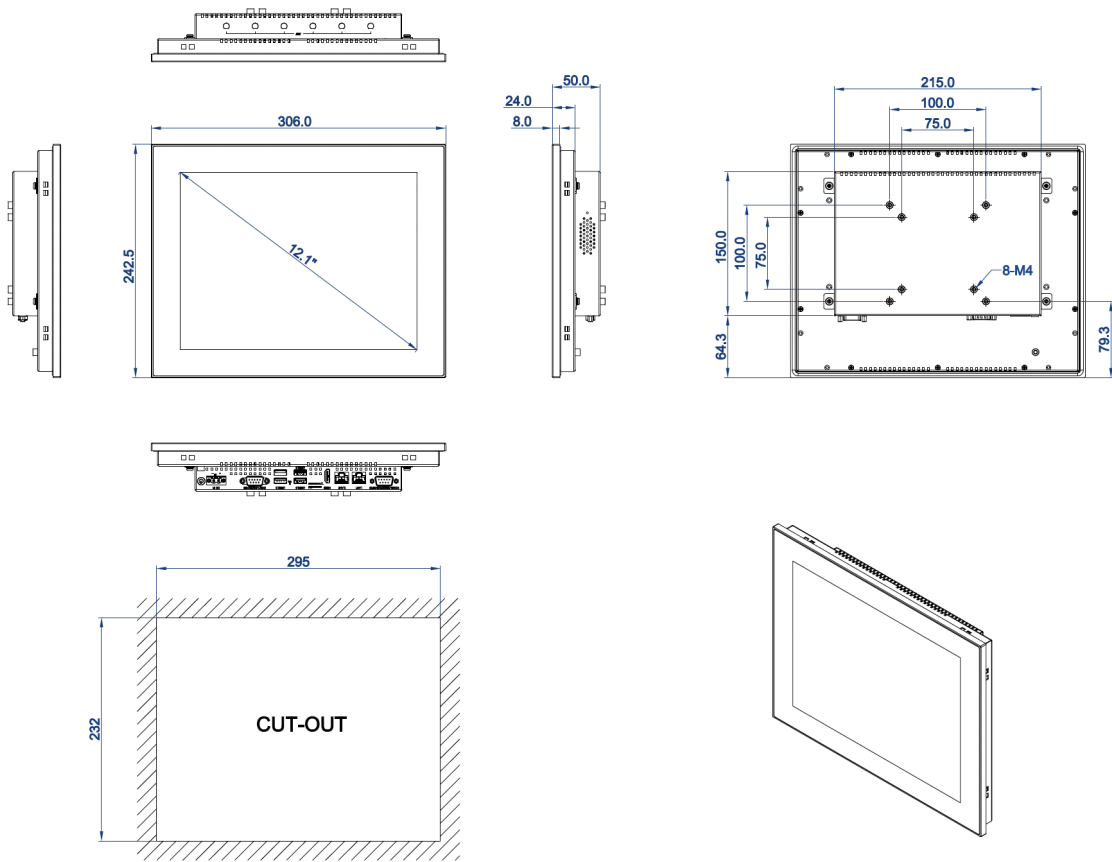
- 12.1" TFTLCD display, LED Backlit, XGA 1024 \*768;
- ARM Rockchip RK3568, Quad-Core Cortex-A55, up to 2.0Ghz;
- 1\* SDRAM LPDDR4X-3200MHz on board, 2GB/4GB/8GB options;
- On-board 16GB/32GB/64GB eMMC options, 1\* TF Card slot;
- Multi-points (Max. up to 10 points) Projective capacitive touch, EETI controller;
- Aluminum-magnesium alloy, anodized treatment, Modular designed;
- DC Terminal 12V power input, optional wide voltage DC 9~36V range;
- IO: 2\*GLAN, 1\*USB3.0, 3\*USB2.0, 2\*COM (DB9), 1\*HDMI, 1\* SIM card slot;
- Fan-less & Slim design, Panel mount, VESA, Front IP65 protection.

## Specification

<b>Hardware &amp; System</b>	CPU	ARM Rockchip RK3568, Quad-core Cortex-A55, Clock speed up to 2.0Ghz
	Memory	SDRAM LPDDR4X-3200Mhz on board, 2GB/4GB/8GB options
	Storage	eMMC 5.1, 16GB/32GB/64GB options; 1* TF Card slot
	Display	1* HDMI (Type-A), Max. resolution up to 4096x2304 @60Hz
	Ethernet	2* Realtek GbELAN Chip
	Wireless	Realtek Wireless module on-board, support Wi-Fi 2.4/5 Ghz by default
	Expansion slots	1* Mini-PCle slot (for 4G/3G); 1* M.2 (NGFF)B-key 3052 slot (for 5G)
	OS	Android 11, Linux
<b>IO interface</b>	COM	2*RS232 (COM1 can jumper setting RS485; COM2 optional support RS485/GPIO)
	Ethernet	2* RJ45, 10/100/1000 Mbps
	Speaker	Optional
	USB	1* USB3.0/OTG, 3* USB2.0
	Power	1x 2pins, phenix terminal
	Other ports	1* Recovery Button
<b>LCD Display</b>	Size/Type	12.1" TFTLCD
	Resolution	1024 * 768 (XGA)
	Brightness	350 nits
	Backlit & Lifetime	LED backlit & 50 000hours
	Display area	245.76 * 184.32
	View angle	80/80/80/80
<b>Touchscreen</b>	Type	Projective capacitive touchscreen
	Touch points	Multi points touch, max. up to 10 points
	Durability	>100 000 000 times
	Surface hardness	Mohs 6H
	Special treatment	Anti-fingerprint (AF)
<b>Structure</b>	Structure and surface	Magnesium-Aluminum alloy, sand blasting, anodized treatment
	Mount method	Panel mount, VESA75/100
	Cooling system	Large area finned heat sink
	Overall dimension	306.0 * 242.5 * 50.0 (mm)
	Cut-out dimension	295 * 232 (mm)
	Net weight	3.4 KG
	IP protection	Front Panel IP65
<b>Power &amp; Environmental</b>	Operating temp.	-20 ~ +70°C
	Storage temp.	-30 ~ +80°C
	Relative Humidity	10 ~ 95% @10C (non-condensation)
	Vibration	50 ~ 500 Hz, 1.5G, 0.15mm peak to peak
	Shock	10G/Peak (11 ms)
	Power input	DC 12V (Optional DC 9~36V)
	Power consumption	Around 20W
	EMC	CE/FCC Class A

DIMENSIONAL DRAWING:TPC-DCS121R2

**Dimension**



DIMENSIONS IN MILLIMETERS

**roxion**  
 DATE:2023.10.10  
 REV:A Unit:mm

**Ordering info.**

Part no.	Description
RPC-DCS121R2A	12.1", 1024 * 768, Rockchip 3568, Pcap. touch, <b>2GB RAM+16GB eMMC</b> , 2*GLAN, 1*USB3.0, 3*USB2.0, 2*RS232, 1*HDMI, Wi-Fi, DC Terminal 12V, PSU
RPC-DCS121R2B	12.1", 1024 * 768, Rockchip 3568, Pcap. touch, <b>4GB RAM+32GB eMMC</b> , 2*GLAN, 1*USB3.0, 3*USB2.0, 2*RS232, 1*HDMI, <b>WiFi+BT</b> , DC Terminal 12V, PSU
RPC-DCS121R2H	12.1", 1024 * 768, Rockchip 3568, Pcap. touch, <b>8GB RAM+64GB eMMC</b> , 2*GLAN, 1*USB3.0, 3*USB2.0, 2*RS232, 1*HDMI, Wi-Fi, DC Terminal 12V, PSU
RPC-DCS121R2AW	12.1", 1024 * 768, Rockchip 3568, Pcap. touch, 2GB RAM+16GB eMMC, 2*GLAN, 1*USB3.0, 3*USB2.0, 2*RS232, 1*HDMI, Wi-Fi, DC Terminal 9-36V
RPC-DCS121R2BW	12.1", 1024 * 768, Rockchip 3568, Pcap. touch, 4GB RAM+32GB eMMC, 2*GLAN, 1*USB3.0, 3*USB2.0, 2*RS232, 1*HDMI, WiFi+BT, DC Terminal 9-36V
RPC-DCS121R2HW	12.1", 1024 * 768, Rockchip 3568, Pcap. touch, 8GB RAM+64GB eMMC, 2*GLAN, 1*USB3.0, 3*USB2.0, 2*RS232, 1*HDMI, Wi-Fi, DC Terminal 9-36V

**Packing List**

- 1x Standard Product
- 1x 40W PSU(Power Supply)
- 1x Power cable & Plug
- 8x Panelmount metal clips