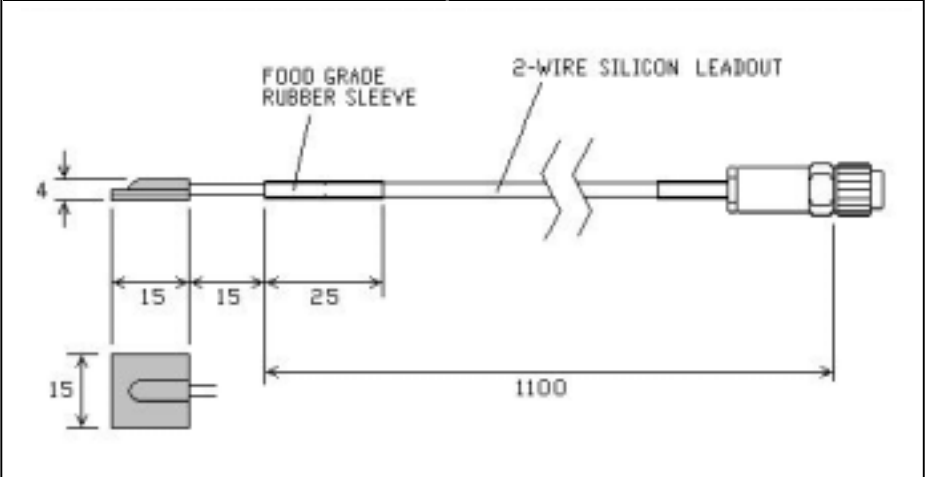


Sensor Physical Details



Mechanical specification

Further details and temperature ratings will follow shortly.

Probe:

Sheath : Rubber pad.

Method of fixing: Adhesive tape, cable ties etc (not supplied). Use silicone grease for good thermal contact.

Maximum radius of curvature of mounting surface: 8mm approx.

Cable:

2-wire Silicon leadout.

Connector:

2-way IP68 connector with Stainless Steel body.

Sensor details

Measuring Range : -40°C to +125°C

Sensor Type : 10k NTC Thermistor

Response Time : 45 s to 90% (Air)
16 s to 90% (water)

Sensor accuracy : ± 0.2°C
From 0°C to +70°C

Approvals

All Tiny loggers are manufactured within the Orion Group to ISO EN 9002 part 2 (Certificate No. 6134), and are CE approved to EN50081 part 1:1992 and EN50082 part 1&2:1992 with any standard leads or probes supplied.

NAMAS traceable calibration certificates are available on individual units.



Related Products

This probe is suitable for the following products:

TGU/TGU2K/TGP-0020	Tinytag Ultra/Ultra 2k/Plus Range G (-40°C to +125°C) for Standard Probe.
TGU/TGU2K/TGP-0073	Tinytag Ultra/Ultra 2k/Plus Range H (-30°C to +50°C) for Standard Probe.
TGU/TGP-1510	Tinytag Ultra/Plus 2-channel, Range H (-30°C to +50°C) And Range G (-40°C to +125°C) for Standard Probe.
TGU/TGP-1515	Tinytag Ultra/Plus 2-channel, Range H (-30°C to +50°C) And Range H (-30°C to +50°C) for Standard Probe.
TG12-0020	Tinytag Plus High Resolution Range G (-40°C to +125°C) for Standard Probe.
TV-0020	Tinyview Range G (-40°C to +125°C) for Standard Probe.
TV-0073	Tinyview Range H (-30°C to +50°C) for Standard Probe.

Applications

Tanks and vats Pipes Machinery