

# TPC-1260G

## Crusoe™ 5800 Touch Panel Computer with 12.1" SVGA TFT LCD Display



### Features

- 12.1" SVGA TFT LCD
- Super slim and compact design with Al-Mg housing
- Fanless cooling system
- NEMA4/IP65 compliant front panel
- Supports Windows® XP/2000/CE.NET/XP embedded
- Downward I/O cabling
- Automatic data flow control RS-485

### Introduction

With a high quality TFT LCD display, the TPC-1260G/H adopts the Transmeta™ Crusoe™ 5800 processor as its core. The Crusoe™ 5800 is a low power consuming x86 compliant processor with 1 GHz operating frequency. This system is fanless although the kernel is powerful. In addition, spindle-free storage makes the TPC-1260G a durable and reliable platform. Two PCMCIA slots are provided for expansion capability in harsh environments. A rich I/O portfolio meets diverse requests.

### Specifications

- **Construction** Al-Mg and plastic molding
- **Display** 12.1" SVGA TFT LCD
- **CPU / Core Logic** Transmeta™ Crusoe™ 5800 1 GHz
- **BIOS** Award® 256 KB
- **VGA** SMI® 721 VGA controller
- **Memory** 256 MB DDR SDRAM (up to 512 MB), with 240 MB (up to 496 MB) allocated for users
- **Storage** CompactFlash® memory card
- **I/O** 4 serial ports (one configurable to RS-232/422/485) and RS-485 is auto flow controlled, 1 parallel port, 1 Ethernet port (10/100/1000Base-T), 2 USB ports (USB2.0), 1 PS/2 port (KB/MS combined), 2 PCMCIA slots, 1 VGA port, 3 Audio ports (MIC in X 1, Line in X 1, Line out X 1)
- **Expansion** PC/104-Plus expansion slot
- **Watchdog Timer** 1.6 seconds interval
- **Power Input** 24 V<sub>DC</sub>, 1A maximum
- **Dimensions (WxHxD)** 311 x 237 x 75.85 mm (12.24" x 9.33" x 2.99")
- **Gross Weight** 3.7 kg (8.15 lb)

#### Environmental Specifications

- **Operating Temperature** 0 ~ 50° C (32 ~ 122° F)
- **Relative Humidity** 10 ~ 95% @ 40° C, non-condensing
- **EMI** FCC class A certification
- **Operating Vibration** 2 grms (5 ~ 500 Hz)
- **Operating Vibration with external HDD** 1 grms (5 ~ 500 Hz)
- **Front panel meets NEMA4 / IP65**

#### Touchscreen

- **Type** 8-wire, analog resistive
- **Resolution** Continuous

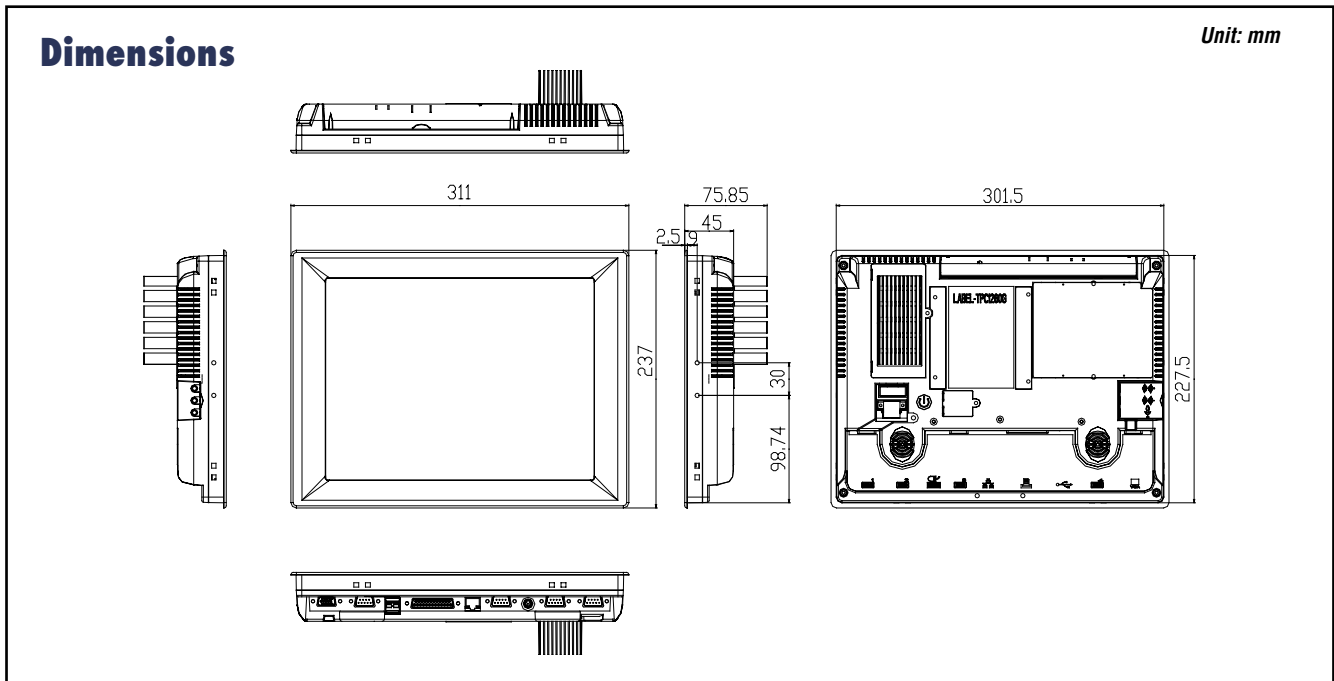
- **Light Transmission** Above 75%
- **Life** 1 million activation minimum at single point

#### LCD Display

- **Display Size (diagonal)** 12.1"
- **Max. Colors** 256K
- **Resolution** 800 x 600
- **Pixel Pitch (H x V)** 0.3075 x 0.3075 mm
- **Viewing Angle** 90°
- **Luminance cd/m<sup>2</sup>** 100
- **Storage Temperature** -20~60° C (-4~140° F)
- **Operating Temperature** 0~50° C (32 ~ 122° F)
- **Backlight** 1 CCFL
- **Contrast Ratio** 150

### Ordering Information

- **TPC-1260G-A1** 12.1" TFT LCD display touch panel computer with Crusoe™ 5800 1 GHz CPU and 256 MB DDR SDRAM
- **TPC-1260G-A5** 12.1" TFT LCD display touch panel computer with Crusoe™ 5800 1 GHz CPU and 512 MB DDR SDRAM
- **TPC-1260GN-A1** TPC-1260G-A1 with Windows® CE .NET OS/64 MB CF card
- **TPC-1260G-D1** TPC-1260G-A1 without touch screen
- **PS-DC24-50** 50 Watts 24 V<sub>DC</sub> output, 110 V/220 V<sub>AC</sub> 50/60 Hz input power adapter
- **TPC-1260G HDD** TPC-1260G external HDD kit



### Accessories

- **TPC-1260G WMK** TPC-1260G wall mount kit
- **TPC-1260G CDK** TPC-1260G/H CD-ROM kit
- **TPC-1260G HDD** TPC-1260G external HDD kit

### Rear View

