

# PPC-155T

## Panel PC with 15" Color TFT LCD and Intel® Pentium®/Celeron® M Processor



### Features

- 15" TFT XGA LCD
- Intel® Pentium®/Celeron® M up to 1.8 GB/1.5 GB
- System memory up to 2 GB DDR RAM
- Built-in CF card interface (IDE interface for OS booting)
- One PCI expansion slot
- Two 10/100Base-T Ethernet ports (second LAN port or Gigabit LAN are optional)
- Two IEEE 1394 ports
- Resistive, capacitive, SAW touch screen are available
- LED Indicator for Power, LAN and Hard Disk
- Light sensor can automatic control backlight

### Introduction

The PPC-155T is a Intel Pentium/Celeron M based Panel PC with 15" color TFT LCD (resolution up to 1024 x 768). PPC-155T has minimized thermal and noise impact and optimize I/O throughput performance.

It features multimedia devices, various connectors, and can be installed in virtually any application. In addition, its user-friendly interface makes it a great host for information appliances.

### Specifications

- **CPU** Supports Socket 478 based Pentium /Celeron M up to 1.8G /1.5G
- **Dimensions (W x H x D)** 396.5 x 317.6 x 103.5 mm (15.6" x 12.5" x 4.08")
- **Front Panel Protection** IP65/NEMA 4 compliant (not for SAW model)
- **HDD** IDE HDD interface (2.5" HDD bay)
- **CD-ROM Drive** Optional 24X or above
- **DVD-ROM Drive** Optional 16X or above
- **Combo Drive** Optional DVD/CD-RW 8D/24W/24E/24R or above
- **Memory** Supports up to 2 GB DDR SDRAM (184-pin)
- **FDD** Optional
- **Network (LAN)** 2 x ports 10/100Base-T Ethernet interface (second LAN port or Gigabit LAN are optional)
- **I/O Ports**
  - 3 x COM ports: 2 x RS-232, 1 x RS-232/422/485
  - 4 x USB 2.0 ports
  - 1 x PCMCIA Type II
  - 1 x PS/2 mouse and keyboard interface
  - Mic-in, Line-in, Line-out
  - 2 x IEEE 1394 ports
- **Bus Expansion** 1 x PCI expansion slot, 1 x Mini PCI card

### Environmental Specifications

- **Operating Temperature** 0 ~ 45° C (32 ~ 113° F)
- **Relative Humidity** 5% ~ 85% non-condensing
- **Shock** 10 G peak acceleration (11 msec. duration)
- **EMC** BSMI, VCCI, CE, FCC Class B, CCC
- **Safety** CB, CE, UL

### Power Supply

- **Output Rating** 100 W (max.)
- **Input Voltage** 100 ~ 250 Vdc @ 50 ~ 60 Hz
- **Output Voltage** +3.3 V @ 8.0 A, +5 V @ 12.0 A, +12 V @ 4.0 A, -12 V @ 0.2 A, +5 Vsb @ 2.0 A

### LCD Display

- **Display Type** Color TFT LCD
- **Size (Diagonal)** 15"
- **Max. Resolution** 1024 x 768
- **Max. Colors or Grayscales** 262 K
- **Pixel Pitch (mm)** 0.297 x 0.297
- **Luminance (cd/m²)** 350
- **Contrast Ratio** 400 : 1
- **Viewing Angle** 60° (left), 60° (right), 40° (up), 60° (down)
- **Operating Temperature** 0 ~ 50° C
- **VR Controls** Brightness
- **Simultaneous Mode** Yes
- **LCD MTBF** 50,000 hrs

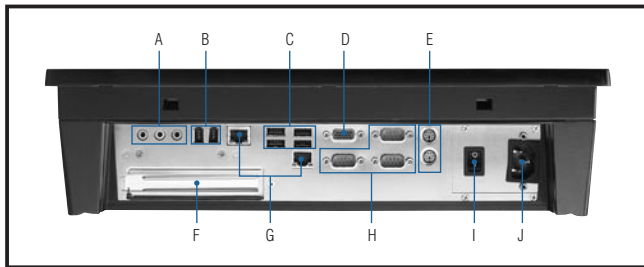
### Touchscreen (Optional)

Types	Analog Resistive	Capacitive	Surface Acoustic Wave
<b>Resolution</b>	Continuous	1024 x 1024	4096 x 4096
<b>Light Transmission</b>	80%	91.5%	91%
<b>Controller</b>	RS-232 Interface	RS-232 Interface	RS-232 Interface
<b>Power Consumption</b>	+5 V @ 200 mA	+5 V @ 100 mA	+5 V @ 150 mA
<b>Software Driver</b>	Supports both DOS and Windows		
<b>Durability (Touches lifetime)</b>	35 million	225 million	50 million

## Ordering Information

Part No.	Description
PPC-155T-BAREE	Panel PC with 15" color TFT LCD display (resolution 1024 x 768)
PPC-155T-BARE-TE	PPC-155T Bare BOM with resistive touchscreen
PPC-155T-BARE-CE	PPC-155T Bare BOM with capacitive touchscreen
PPC-155T-BARE-SE	PPC-155T Bare BOM with SAW touchscreen
PPC-155T STAND	Stand kit for PPC-154/155/174 Series
PPC-174 WL-MT	Wall mount kit for PPC-154/155 series
PPC-174 SWINARM	Swingarm kit for PPC-154/155/174 Series
PPC-ARM-A03	VESA standard ARM for PPC-123/153/154/155 series

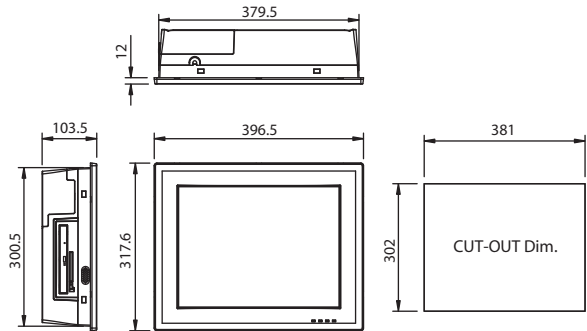
## Fully Integrated I/O



- |                             |   |
|-----------------------------|---|
| A. Line-in/Line-out /Mic-in | G. 10/100 Base-T Ethernet x 2 (2nd LAN or Gigabit are optional) |
| B. IEEE 1394 x 2            | H. RS-232 x 2, RS-232/422/485 x 1                               |
| C. USB2.0 x 4               | I. Power switch   |
| D. VGA port                 | J. AC Inlet   |
| E. PS/2 mouse & keyboard    |   |
| F. PCI slot x 1             |   |

## Dimensions

Unit: mm



## Feature Details

### Protection

To meet the requirements of a public environment, the front panel PPC-155T complies with the IP65/NEMA 4 protection standard. Furthermore, the watchdog timer and power management features make the system secure and stable. The onboard hardware monitoring feature provides automatic protection function, which prevents the CPU from becoming overheated.

### Networking

Three serial ports and two 10/100Base-T Ethernet ports (Second LAN port or Gigabit LAN are optional) gives the PPC-155T advanced networking capabilities, and provide a great solution for versatile applications.

### Expansion

To extend functionality, the PPC-155T is designed with one expansion slot for PCI cards, four USB 2.0 (Universal Serial Bus) ports, and one PCMCIA card bus (Type II x 1). With these expansion capabilities, the PPC-155T not only functions as a HMI, but also as a computing center to build your applications on.

### Easy Maintenance

Maintaining and replacing the LCD and touchscreen are made easier through the PPC-155T modular design. In order to replace a defective LCD or touchscreen, one merely needs to remove the front cover and LCD bracket instead of disassembling the whole system.

### Touchscreen Options

Customers can choose from three optional types of standardized touchscreens: resistive, capacitive and SAW (Surface Acoustic Wave). These options make the PPC-155T a more user-friendly interface for different environments.