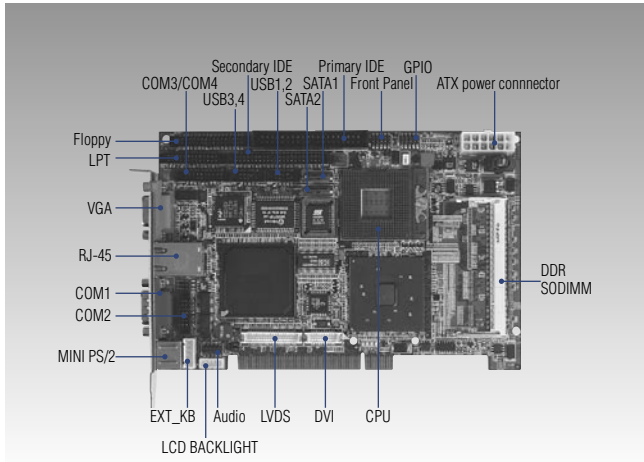


# PCI-6880

## PCI Intel® Pentium® M/Intel Celeron® M Half-sized SBC with VGA/LCD/LVDS/Giga LAN/ USB 2.0/SATA and SSD



## Specifications

### General

- **CPU** Embedded Intel Pentium M (Banias/Dothan)/Celeron M Processor supported, up to 1.8 GHz  
Celeron M 600 MHz (512 KB): PCI-6880F-M0A1  
Pentium M 1.1 GHz: PCI-6880F-S1A1  
uFCPGA2 (478pin): PCI-6880F-00A1/PCI-6880FG-00A1
- **2nd Cache Memory** 1 or 2 MB on Pentium M process, 512 KB/1 MB on Celeron M
- **System Chipset** Intel 855GME + 6300ESB
- **BIOS** AWARD® 4 Mbit Flash BIOS
- **System Memory** 2 x 200 pin DDR SODIMM, support ECC DDR up to 2 GB
- **Power Management** APM 1.2, ACPI supported
- **SSD** Supports CompactFlash® Card Type I/II
- **Watch Dog Timer** 0 ~ 25 sec, sec, System reset
- **Expansion Interface** 1 x 32-bit PCI slot
- **Battery** Lithium 3 V/196 mAH

### I/O

- **I/O Interface** 2 x IDE, 1 x FDD, 1 x K/B, 1 x Mouse, 2 x SATA  
1 x RS-232/422/485, 3 x RS-232, 1 x LPT
- **USB** 4 x USB ports, USB 2.0 compliant
- **Audio** Supports AC97 Audio with optional PCM-231A-00A1
- **IrDA** N/A
- **GPIO** 8-bit general purpose input/output
- **I/O Expansion** DVI, PCI

### Ethernet

- **Chipset** Intel 82541PI (Gigabit), Intel 82551ER/82551QM (optional)
- **Speed** 10/100Base-T, 10/100/1000Base-T
- **Interface** 1 x RJ-45
- **Standard** IEEE 802.3 z/ab (1000Base-T) or IEEE 802.3u (100 Base-T) protocol compatible
- **Built-in Boot ROM** 82541PI, with 82551QM can have this function by optional

## Features

- Embedded new generation Intel® Pentium® M/Intel Celeron® M Processor
- Supports 400 MHz Front Side Bus
- Supports 200 MHz, 266 MHz and 333 MHz DDR SDRAM
- Supports up to 1000Base-T Ethernet on board
- Supports up to 2 Channel 36 bits LVDS for LCD
- Supports 4 x USB 2.0 ports
- Supports 2 x SATA ports
- Supports Enhanced Intel SpeedStep technology (Intel Pentium M)
- Fanless operation @ 0 ~ 60° C (Celeron M 600 MHz/Pentium 1.1 GHz)

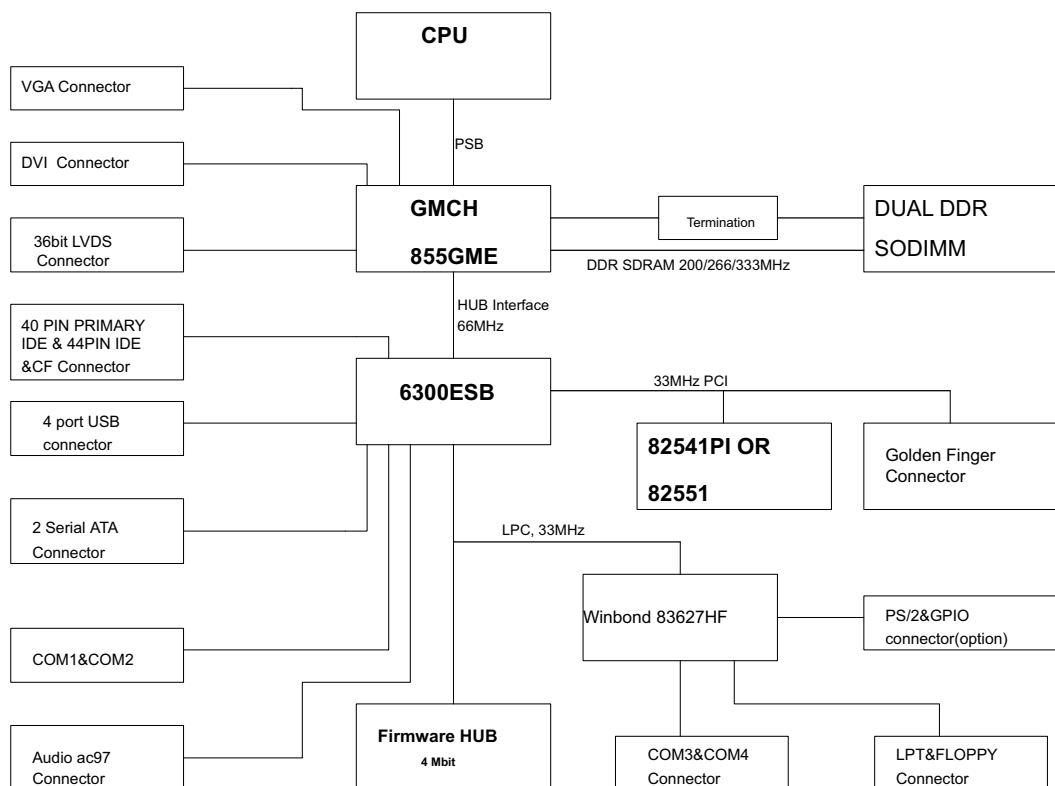
### Display

- **Chipset** Intel 855GME chip integrated. (Extreme Graphics 2)
- **Memory Size** Optimized Shared Memory Architecture, supports up to 64 MB frame buffer using system memory
- **Resolution** CRT Mode: up to 2048 x 1536 @ 75 Hz  
LVDS Mode: up to 1280 x 1024 @ 36 bpp, up to UXGA panel resolution with frequency range from 25 MHz to 112 MHz
- **LCD Interface** 2 Channel LVDS (36-bit)
- **LVDS Interface** Hirose connector supports dual channel LVDS panel
- **TV-Out** N/A
- **Dual Independent Display:** CRT + LVDS, CRT + DVI (only operate under Windows), LVDS + DVI (only operate under Windows)

### Mechanical and Environmental

- **Dimension (L x W)** 185 x 122 mm (7.3" x 4.8")
- **Weight** 0.27 kg (weight of total package)
- **Operating Temperature** 0 ~ 60° C (32 ~ 140° F), operation
- **Operating Humidity** 0% ~ 90% relative humidity, non-condensing
- **Power Supply Voltage** +5 V, +5 V STB and +12 V
- **Power Consumption** Max: 4.14 A @ 5 V, 0.22 A @ 12 V (w/Celeron M 1.3 GHz +256 MB);  
7.16 A @ 5 V, 0.24 A @ 12 V (w/Pentium M 1.6 GHz + 256 MB);  
5.04 A @ 5 V, 0.22 A @ 12 V (w/Pentium M 1.8 GHz + 256 MB);  
Typical: 1.81 A @ 5 V, 0.22 A @ 12 V (w/Celeron M 1.3 GHz + 256 MB);  
2.56 A @ 5 V, 0.22 A @ 12 V (w/Pentium M 1.6 GHz + 256 MB);  
2.45 A @ 5 V, 0.22 A @ 12 V (w/Pentium M 1.8 GHz + 256 MB);

## Board Diagram



## Packing List

- 1 x PCI-6880 SBC
- 1 x Y cable for PS/2 Keyboard, PS/2 Mouse (p/n:1700060202)
- 1 x E-IDE (HDD) Cable (p/n:1701400452)
- 1 x FDD Cable (600 mm) (p/n:1701340603)
- 1 x Parallel port cable (p/n:1700260250)
- 1 x Power Cable (p/n:1700000265)
- 1 x ATX feature Cable (p/n:1700001276)
- 1 x Mini Jumper (p/n:1653302122)
- 1 x Startup Manual
- 1 x Utility CD

## Ordering Information

### Standard

- **PCI-6880F-00A1** PCI µCPGA 478 Slot-PC, w/LAN/VGA/LVDS/CFC
- **PCI-6880FG-00A1** Same as PCI-6880F-00A1 but with Gigabit Ethernet
- **PCI-6880F-M0A1** Same as PCI-6880F-00A1 W/Celeron M 600 MHz on board
- **PCI-6880F-S1A1** Same as PCI-6880F-00A1 W/Pentium M 1.1 GHz on board
- **PCI-6880F-00A1E** Same as PCI-6880F-00A1, RoHS
- **PCI-6880FG-00A1E** Same as PCI-6880FG-00A1, RoHS
- **PCI-6880F-M0A1E** Same as PCI-6880F-M0A1, RoHS
- **PCI-6880F-S1A1E** Same as PCI-6880F-S1A1, RoHS

### Optional Accessories

- **IPC-644P4-80** Chassis w/PCA-6104P4/80 W power supply
- **IPC-6806P5** Chassis w/PCA-6105P5/100 W power supply
- **PCA-6104P4-0B1** 4-PCI slot passive backplane
- **PCA-6105P5-0B1** 5-PCI slot passive backplane
- **1703100260** USB cable adapter (2.00 mm)
- **CF-HDD-ADP** CompactFlash 50-pin to IDE 44-pin adapter
- **PCM-231A-00A1** Audio module with Line-in, Line-out, Mic
- **1701140201** COM2 cable (2.00 mm)
- **1700001166** COM3 & COM4 cable with bracket (2.00 mm)