

AWS-8430

Compact Workstation with 12.1" LCD & 8 Expansion Slots



Features

- 12.1" SVGA LCD display
- 8 ISA or 4 ISA / 2 PCI / 1 CPU backplanes available
- Front accessible FDD, Power switch and CD-ROM
- Only 220 mm in depth, easy to install in constrained environments
- Three cooling fans provide reliable working environment

Introduction

The AWS-8430 is a compact, high standard industrial workstation designed to meet the tough needs of PC-based industrial automation. With a depth of only 220 mm, it can be easily installed on a machinery platform. Three fans are equipped to keep the working environment cool and stable. Featuring a stainless steel back case, the system is tough and environmentally friendly. Two HDD bays make the system flexible for expansion, while the high resolution (800x600) SVGA TFT LCD provides all you need for high quality display needs.

Specifications

- **Front Panel** Aluminum (meets NEM4/IP65)
- **Construction** Heavy-duty stainless steel chassis
- **Disk Drive Housing** Supports one slim 3.5" FDD, one 3.5" HDD & one compact CD-ROM (CD-ROM and HDD optional)
- **LCD Interface** 3.3 V TTL
- **VGA Card** PCA-6654LB, PCI-bus, 2 MB VRAM onboard (AWS-8430TP & AWS-8430TP-T only)
- **Cooling System** Two 49 CFM fans on rear panel, one in power supply
- **Membrane Keypads** One with 60 data-entry keys, one with 10 function keys and 10 programmable macro function keys
- **Keyboard/mouse Connector** 6 pin PS/2 connector with dust-protection door on front panel
- **Indicators** LEDs for power on/off and HDD activity
- **Touchscreen (optional)** Analog resistive type with RS-232 controller
- **Operating Temperature** 0 ~ 50° C (32 ~ 122° F)
- **Relative Humidity** 5 ~ 85% @ 40° C, non-condensing
- **Storage Temperature** -20 ~ 60° C
- **Storage Humidity** 5 ~ 95% non-condensing
- **Dimensions (W x H x D)** 482 x 266 x 220 mm (19.0" x 10.5" x 8.7")
- **Certifications** CE, CCC, FCC, BSMI compliant
- **Gross Weight** 15.6 kgs (34.4 lbs)
- **Vibration (operation)** 5 ~ 500 Hz 1G RMS Random Vibration

Passive Backplane

- **PCA-6107P2** 4 ISA, 2 PCI, 1 CPU slots
- **PCA-6108C** 8 ISA slots

Power Supply Options

AC input 300 W (standard offer)

- **Input** 90 ~ 135 V_{AC} or 180 ~ 265 V_{AC}, switchable
- **Output** +5 V @ 30 A; +12 V @ 15 A; +3.3 V @ 24 A
-5 V @ 0.3 A; -12 V @ 0.8 A; +5 VSB @ 2 A
- **MTBF** 100,000 hours
- **Safety** UL/CSA/TÜV

48 V_{DC} input 310 W (ODM offer)

- **Input** -38 ~ -58 V_{DC}
- **Output** +5 V @ 25 A; +12 V @ 10 A; -5 V @ 1 A; -12 V @ 5 A
- **MTBF** 100,000 hours
- **Safety** UL/CSA/TÜV

24 V_{DC} input 250 W (ODM offer)

- **Input** +19 ~ +32 V_{DC}
- **Output** +5 V @ 25 A; +12 V @ 10 A; -5 V @ 1 A; -12 V @ 1 A
- **MTBF** 100,000 hours
- **Safety** UL/CSA/TÜV

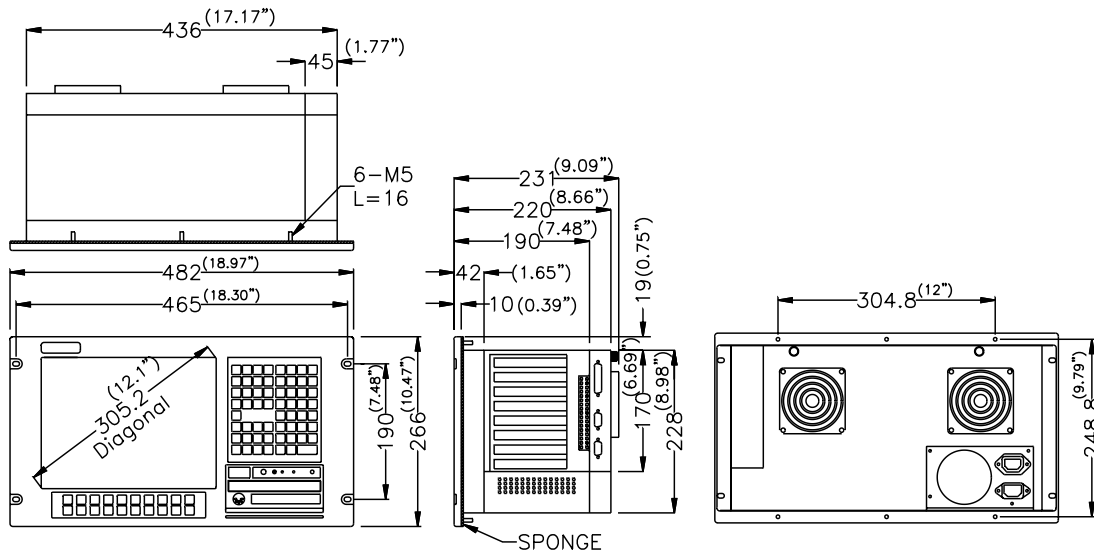
LCD Display

- **Display Type** 12.1" TFT color LCD
- **Max. Resolution** 800 x 600
- **Max. Colors** 262 K
- **Luminance** 200 cd/m²
- **Viewing Angle** 90° (H), 40° (V)
- **Operating Temperature** 0 ~ 50° C
- **VR Control** Brightness & ON/OFF
- **LCD MTBF** 50,000 hours
- **Backlight MTBF** 20,000 hours
- **Default VGA card** PCA-6654LB (TP only)

1	IPPC & AWS
2	TPC
3	FPM
4	ATM
5	DA&C
6	ePCI
7	ADAM-3000
8	eConnectivity
9	ICOM
10	Software
11	UNO-2000/3000
12	VBOX
13	ADAM-4000
14	ADAM-5000
15	ADAM-6000
16	ADAM-8000

Dimensions

Unit: mm



Cut-out dimensions (W x H): 442 x 234 mm (17.4" x 9.2")

Ordering Information

- **AWS-8430TP** 12.1" SVGA TFT LCD, 4 ISA & 2 PCI slots, 300 W 110/220 V_{AC} power supply, 3.5" Slim FDD, PCA-6654LB PCI VGA card
- **AWS-8430T** 12.1" SVGA TFT LCD, 8 ISA slots, 300 W 110/220 V_{AC} power supply, 3.5" Slim FDD, without VGA card
- **AWS-8430TP-T** AWS-8430TP with resistive touchscreen (RS-232 interface)
- **AWS-8430T-T** AWS-8430T with resistive touchscreen (RS-232 interface)
- **AWS-8430T-C1** AWS-8430T bundle PCA-6359V CPU card
- **AWS-8430TP-C1** AWS-8430TP bundle PCA-6359V CPU card
- **AWS-8430T-C2** AWS-8430T bundle PCA-6770F CPU card
- **AWS-8430TP-C2** AWS-8430TP bundle PCA-6179L CPU card
- **AWS-8430T-C3** AWS-8430T bundle PCA-6359VE CPU card
- **AWS-8430TP-C3** AWS-8430TP bundle PCA-6359VE CPU card
- **AWS-8430TP-C4** AWS-8430TP bundle PCA-6179VE CPU card
- **AWS-8430T-TC1** AWS-8430T-T bundle PCA-6359V CPU card
- **AWS-8430TP-TC1** AWS-8430TP-T bundle PCA-6359V CPU card
- **AWS-8430T-TC2** AWS-8430T-T bundle PCA-6770F CPU card
- **AWS-8430TP-TC2** AWS-8430TP-T bundle PCA-6179L CPU card
- **CDR-842-0024** Slim 24X CD-ROM kit with support bracket

Back View



Optional PCI Fieldbus Card

- Supports CANopen, DeviceNet or Profibus by request