

AWS-8124H

Mini Workstation with 12.1" LCD & 4 Expansion Slots



Features

- 12.1" Color TFT LCD
- 4 Slot Backplane
- Compact Size
- NEMA4 / IP65 compliant front panel
- Optional Resistive Touchscreen

Introduction

The AWS-8124 PC-based mini workstation is a compact unit that meets the requirements of human-machine interfaces. Its half-sized, four slot backplane provides a space-saving and economical solution for industrial control. At only 6" in depth, this system can be used in the tight spaces around machinery. Equipped with an optional touchscreen, it can even be used as a controlling interface. Mounted in an airplane, vehicle or machine platform, this mini workstation is designed to fit where others can't.

Specifications

General

- **Certifications** CE, CCC, BSMI, and FCC
- **Cooling System** 1 x 32.8 CFM fan on side
- **Dimensions (WxHxD)** 344 x 260 x 159.8 mm (13.5" x 10.2" x 6.2")
- **Enclosure** Aluminum
- **Disk Drive Housing** Holds one 3.5" FDD and one 3.5" HDD (HDD optional)
- **Slots** 4 ISA slots (8124H2/4), 4 PCI slots (8124H1/3)
- **LCD Interface** 3.3 V TTL
- **Weight (Gross)** 7 kg (15.4 lb)
- **Power Input**

Model	Watt	Input	Output	MTBF	Safety
AC	100 W	AC 90~264 V @ 47~63 Hz, full range 2.0/1.0 A	+5 V @ 11.5 A +12 V @ 3.0 A -12 V @ 0.5 A	200,000 hrs	UL/CSA/CE/ FCC class B

LCD Display

- **Backlight Life** 50,000 hrs
- **Display Size** 12.1"
- **Display Type** SVGA TFT LCD AWS-8124H1 (2)
- **Luminance** 350 cd/m² AWS-8124H1(2)
- **Max. Colors** 260,144
- **Max. Resolution** 800 x 600 AWS-8124H1(2)
- **Viewing Angle (H/V°)** 120 / 90

Touchscreen (Optional)

- **Interface** RS-232
- **Lifespan** 1 million touches at a single point
- **Light Transmission** 72%
- **Type** Analog resistive, continuous resolution
- **OS Support** DOS, Windows® 98/NT/2000/XP, Linux
- **Power Consumption** +5 V @ 200 mA
- **Resolution** 1024 x 1024
- **Type** 8-wire, analog resistive

Environment

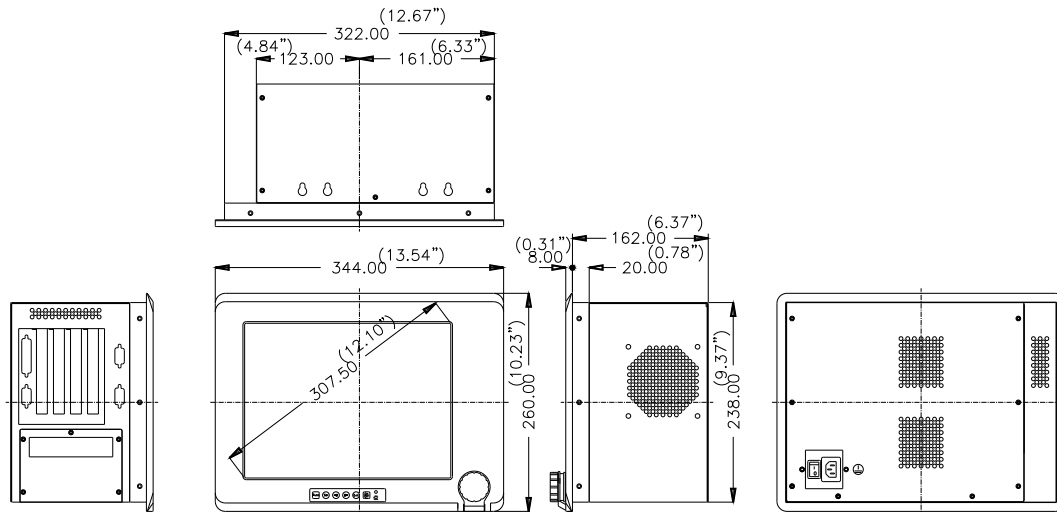
- **Humidity** 5 ~ 95% RH @ 40° C (non-condensing)
- **Ingress Protection** Front panel: NEMA4, IP65
- **Operating Temperature** 0 ~ 50° C (32 ~ 122° F)
- **Storage Temperature** -20 ~ 60° C
- **Vibration (Operating)** 5 ~ 500 Hz, 0.5 Grms (random)

Ordering Information

- **AWS-8124H1-X(R)A** 12.1" TFT LCD, 4 PCI slot backplane, 3.5" FDD, 100 W AC power supply (Resistive touchscreen)
- **AWS-8124H2-X(R)A** 12.1" TFT LCD, 4 ISA slot backplane, 3.5" FDD, 100 W AC power supply (Resistive touchscreen)

Dimensions

Unit: mm



Cut out dimension 322 x 238 mm (12.67" x 9.37")

CPU Card Suggestions

Part No	CPU Grade	Description
PCI-6881F-S0A1	1.1 GHz Pentium M	PCI μ FCPGA2 478 Slot PC, Pentium 1.1 GHz on Board w/LAN/VGA/LVDS/CFC
PCI-6872F-00A1	1.26 GHz Pentium III	PCI Socket 370 half-sized CPU Card with VGA/LCD/LVDS/LAN/CFC
PCA-6774F-00A1	1.26 GHz Pentium III	ISA Socket 370 Slot CPU Card with VGA/LCD/LAN/CFC