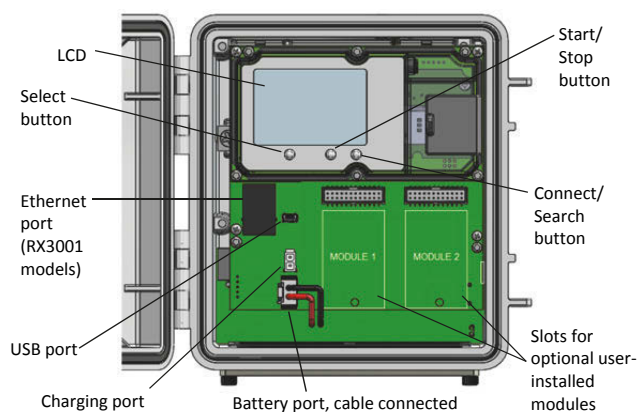


HOBOb® RX3000 Remote Monitoring Station Quick Start

RX3000 Station Key Components



1 Log in to HOBOblink.

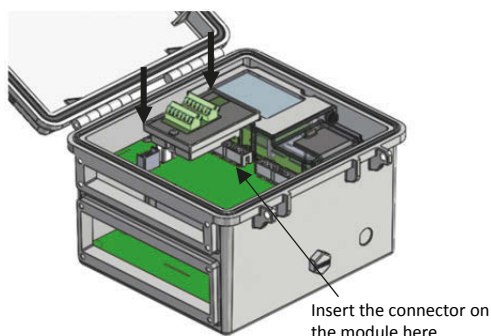
Go to www.hoboblink.com and log in to an existing account or create a new one. You'll receive an email to activate the new account.

2 Register the station.

In HOBOblink, click Devices and then click the Register a Device link. Give the station a name and enter the serial number and device key from the label inside the station door.

3 Install optional analog or relay modules.

Ensure the station is powered off by pulling the battery and charger connections. Insert optional RXMOD-x modules into the Module 1 or Module 2 slot by plugging the connector into the receptacle on the station. Screw the module in place with the provided screw. If there is just one relay module, install it on the right.



WARNING: If you inadvertently install modules while the power is on, you must disconnect and then reconnect the battery and charging device to guarantee proper operation.

4 Plug in the battery and charging device.

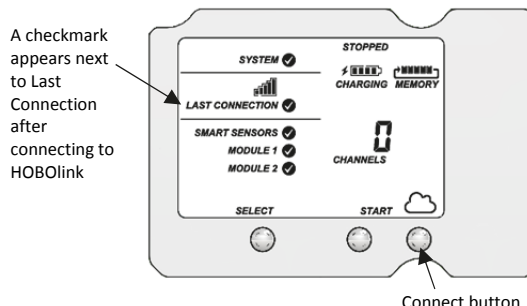
Connect the battery port connector followed by the appropriate charging port connector. Once the battery cable is plugged in, "Initializing System" will flash on the LCD. A checkmark appears next to "System" after the system initialization is complete.

Tip: Refer to the RX3000 manual for instructions on wire routing and environmental sealing of wires.

5 Check or configure device communications.

For RX3003 cellular models:

The station will automatically connect to HOBOblink after powering up the station in the previous step. Continue to step 6.



A checkmark appears next to Last Connection after connecting to HOBOblink

For RX3001 Ethernet models:

a. Plug in the Ethernet cable.

Note: The RX3001 Ethernet station is automatically configured to use DHCP. If your network uses static IP addresses, contact your Network Administrator for the correct addresses and follow the Ethernet configuration steps in the RX3000 manual at www.onsetcomp.com/manual/rx3000.

b. Press the Connect button (under the cloud icon) on the station to connect to HOBOblink. Wait for a checkmark to appear next to Last Connection as shown in the example above.

For RX3002 Wi-Fi models:

- a. Connect the station to the computer with the USB cable.
- b. In HOBObware 3.7.2 or later, select Manage RX3000 from the Device menu. (Select Domain networks and click Allow Access if you see a Windows® Firewall warning.)
- c. In the RX3000 Manager, click the Actions button.
- d. Enter the Security information for your Wi-Fi network. Type the Network Name, select the Security Type, and type the Security Key. Consult your Network Administrator or wireless router documentation for help with determining your network security type.

Note: The station uses DHCP by default. If your network uses static IP addresses, contact your Network Administrator for the correct addresses to enter in the Networking fields.

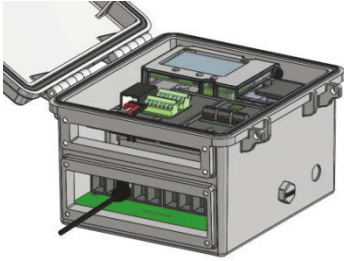
e. Click Save in the RX3000 Manager. Click Done and then close the RX3000 Manager.

f. Disconnect the USB cable.

g. Press the Connect button (under the cloud icon) on the station to connect to HOBOblink. Wait for a checkmark to appear next to Last Connection as shown in the example above.

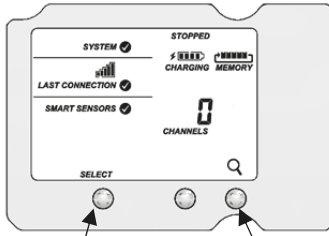
6 Plug in and search for smart sensors.

- a. Plug in smart sensors into the connectors in the bottom of the case.



Tip: Refer to the RX3000 manual for instructions on wire routing and environmental sealing of wires.

- b. Press the Select button to view the smart sensors on the LCD and then press the Search button (the magnifying glass icon should be visible as in the example below). The station will search for all connected smart sensors and show the number of channels after a few seconds. Note that some smart sensors have multiple channels (such as the temperature/RH sensors).



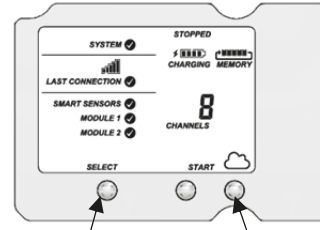
Press the Select button to view the smart sensor channels Press the Search button for the station to identify connected smart sensors

7 Connect analog sensors or relay devices.

Connect any sensors or devices to the optional modules. Refer to the RX3000 manual for details.


8 Connect to HOBOLink.

Use the Select button to return to the main LCD screen that shows all sensors and modules and then press the Connect button (the cloud icon should be visible as shown in the example). This is necessary for HOBOLink to identify the newly added sensors.



Press the Select button to return to the main LCD screen Press the Connect button

9 Configure the station in HOBOLink.

Go to Devices > List and click the  icon next to your station or click the station name and then click Configure at the top of the station page. Make changes and click Next to move through the Configuration Assistant to configure the following:

- System settings and connection interval.
- Smart sensor logging interval and sampling interval.
- Settings for each smart sensor (labels, graph, and scaling).
- Optional modules and associated channels.

Any configuration changes will be transferred to the station the next time it connects with HOBOLink.

10 Start logging.

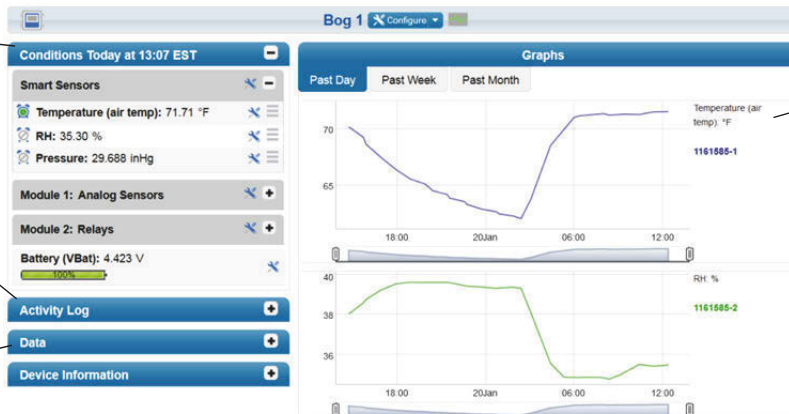
Press the Start button on the station to start logging; the station will connect to HOBOLink.

Checking the Station in HOBOLink

View smart sensor readings and module information from the last connection

Check the latest connection, configuration, and alarm logs

Export logged data and set up scheduled delivery of exported files



For additional information: See the HOBOLink RX3000 Remote Monitoring Station Manual for specifications and detailed operation, including deployment guidelines, mounting instructions, and steps for installing the weatherproof rubber cable channels. Go to www.onsetcomp.com/manual/rx3000 or scan the code at right:

